

**MATERIALS:**

PLASTIC HOUSING: ENGINEERING THERMOPLASTIC  
 FLAMMABILITY RATING UL 94V-0.

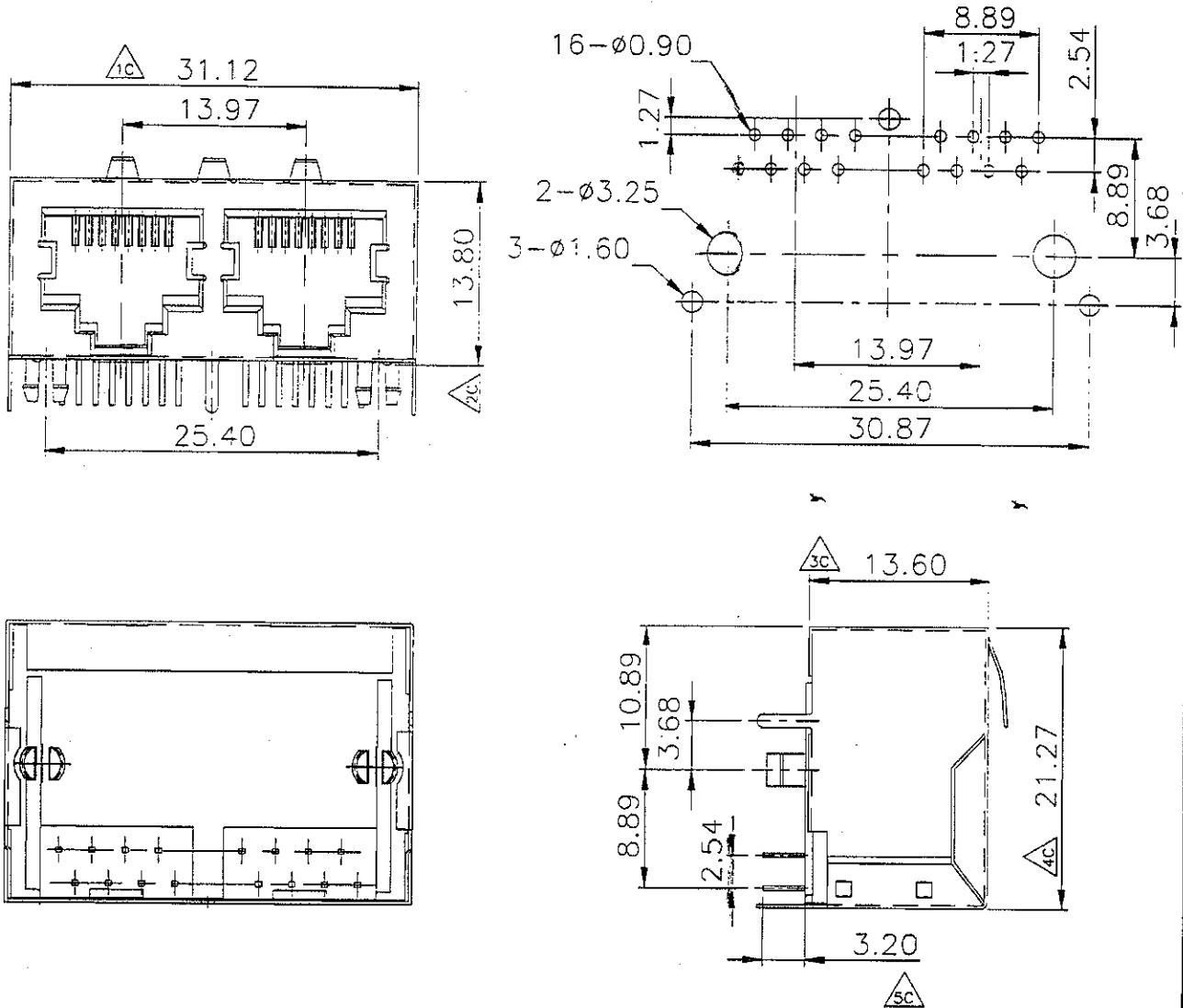
CONTACTS: 0.35mm THICKNESS PHOSPHOR BRONZE

PLATING: GOLD PLATING OVER NICKEL IN CONTACT.

TIN PLATING OVER NICKEL IN SOLDER AREA.

SHIELDED: BRASS WITH NICKEL PLATED

**PCB LAYOUT/TOP VIEW**



DR. LILY 94-10-27	APPD. Jerry 94-10-27	----- .XXX ±0.10 .XX ±0.25 .X ±0.38 X ±0.50 ANG ±3°	TOLERANCE	ARTICLE 1*2PORTS PCB JACK(8P8C)
P/N 301202ST		REVISION NOTE	DWG NO. 301202ST	UNIT mm
<b>Bomar Interconnect</b>			SCALE 2/1	SHEET 1/1
			REV. B	